

TRANSEAL-HS

Pre-moulded Cable Accessories

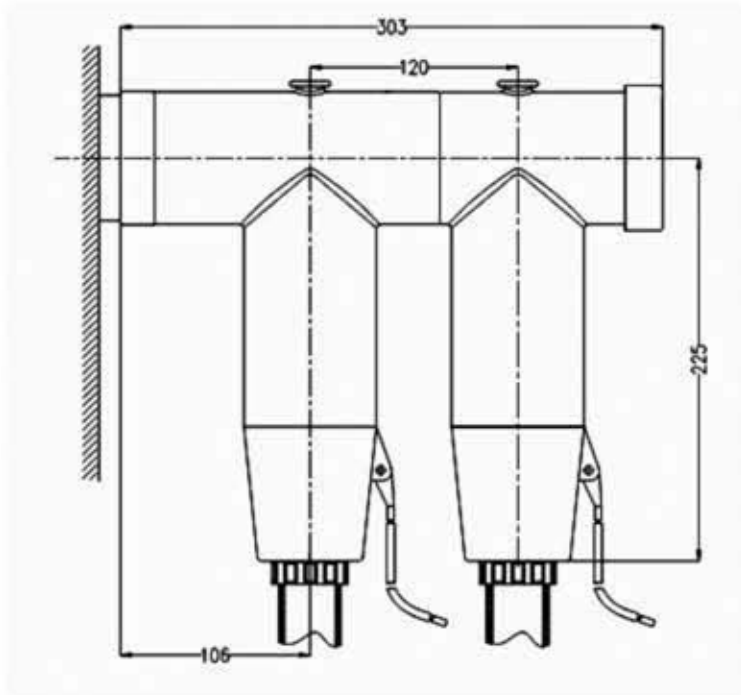


www.rithvikelectrik.com
rithvik.electrik@gmail.com

TRANSEAL-HS

33/36KV T Type Front Connector

630 A Series Products



Main components:



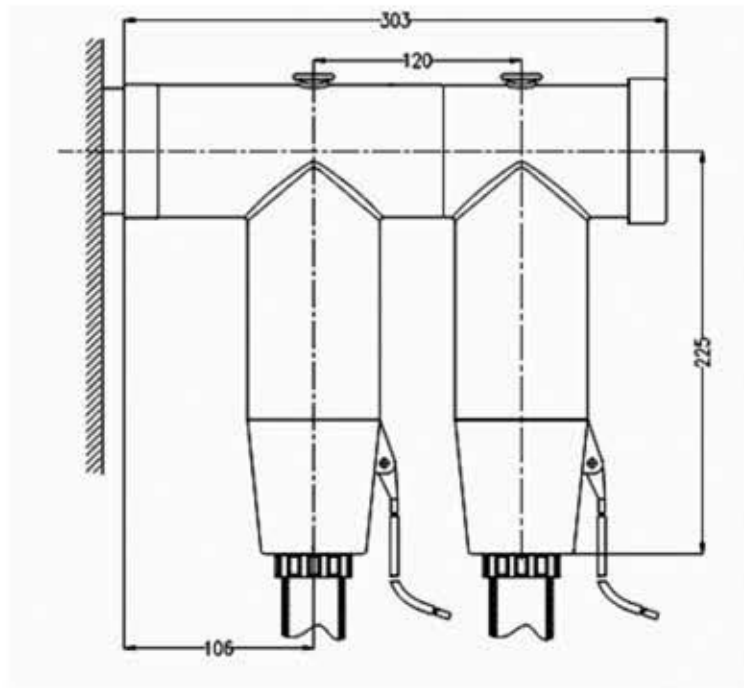
Type option table

type	18/30kV、19/33kV cable conductor cross section(mm ²)	Adaptor size
AQT3-36/630/35	35	Φ 19
AQT3-36/630/50	50	Φ 23
AQT3-36/630/70	70	Φ 23
AQT3-36/630/95	95	Φ 23
AQT3-36/630/120	120	Φ 26
AQT3-36/630/150	150	Φ 26
AQT3-36/630/185	185	Φ 26
AQT3-36/630/240	240	Φ 30
AQT3-36/630/300	300	Φ 30
AQT3-36/630/400	400	Φ 34
AQT3-36/630/500	500	Φ 34

TRANSEAL-HS

33/36KV T Type Rear Connector

630 A Series Products



Main components:



Type option table

type	18/30kV、19/33kV cable conductor cross section(mm ²)	Adaptor size
AHT3-36/630/35	35	Φ 19
AHT3-36/630/50	50	Φ 23
AHT3-36/630/70	70	Φ 23
AHT3-36/630/95	95	Φ 23
AHT3-36/630/120	120	Φ 26
AHT3-36/630/150	150	Φ 26
AHT3-36/630/185	185	Φ 26
AHT3-36/630/240	240	Φ 30
AHT3-36/630/300	300	Φ 30
AHT3-36/630/400	400	Φ 34
AHT3-36/630/500	500	Φ 34

GTP for 36KV

Characteristics	Guaranted Value
A C High Voltage	117 kv AC for 5 minutes
- Partial Discharge	≤ 10 pc at 45 kv
Impulse test	200 kv

* A hongshang product